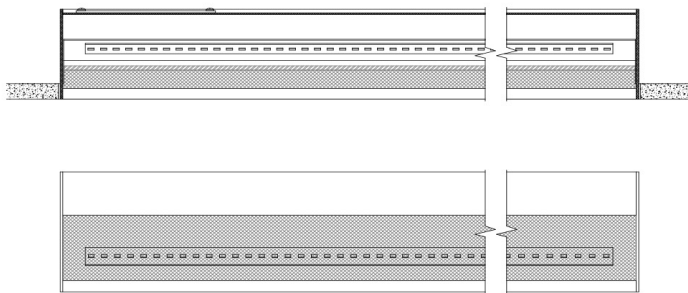
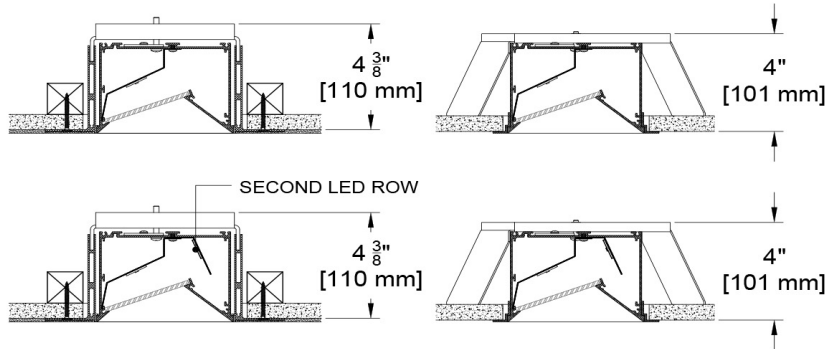
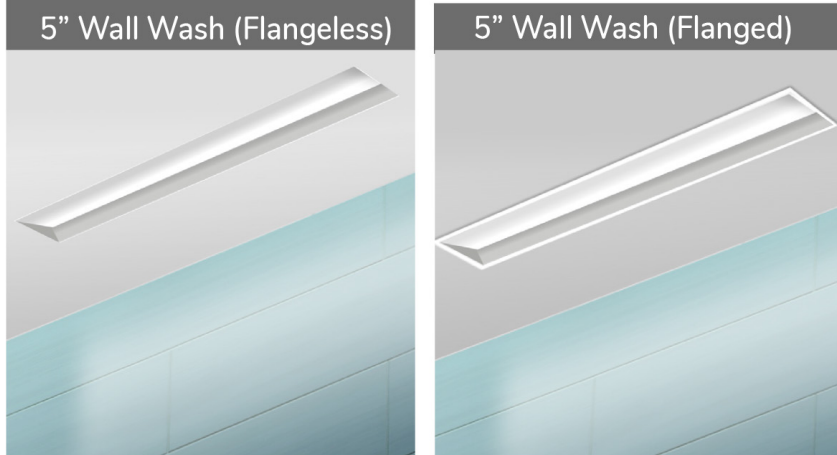


## The Mural Family

Welcome to Mural. When true continuous wall washing is a must and point source wall wash on center spacing and offsets are problematic, Mural solves the problem. This 5" (122mm) continuous linear wall wash fixture can be specified to custom lengths in 6" increments. Mural offers a choice of flange or flangeless and is designed for wall heights up to 12 feet (3.5m). A double board option is available providing an extra "kick" of light to the top of the wall at the ceiling.



PROJECT:

TYPE:

SPECIFIER:

DATE:

### Key Points (MU5-RM)

#### Trim

- Flange or Flangeless
- 15 color options + Custom and RAL# available
- Sealed walk-over lens for up-light application

#### Source Optics

- Up to 1189 lm/ft available
- 90+ CRI and 60+ R9
- CCT offerings - 2700k, 3000k and 3500k (4000k available as special request)
- Veiling Acrylic lens standard - other lens types available
- **TITLE 24** Fixture photometrics support CA Title 24 part 6 compliance meeting requirements of JA8

#### Housing

- **UL** Damp listed
- 6" specification increments (Integral Driver requires minimum of 2' and may influence 6" specification increment)
- **TITLE 24** IC Airtight housing supports CA Title 24 part 6 compliance to JA8 requirements

#### Driver And Control

- Universal 120v to 277v
- Flicker Free to IEEE 1789-2015 available
- Phase, 0-10v, DALI, Lutron Ecosystem or EldoLED options available.
- 1% dimming standard - 0.1% available

MURAL LINEAR WALL WASH (MU5-RM)		Performance / Foot		
Source	System watts (W)	Delivered Lumens (lm)	Lumens/Watt/ft	Peak cd
1' Length- F10- Single Board	13	705	56	396
1' Length- F10- Double Board	22	1189	54	494

# Ordering Codes

PROJECT: \_\_\_\_\_ SPECIFIER: \_\_\_\_\_

DATE: \_\_\_\_\_ TYPE: \_\_\_\_\_ QUANTITY: \_\_\_\_\_

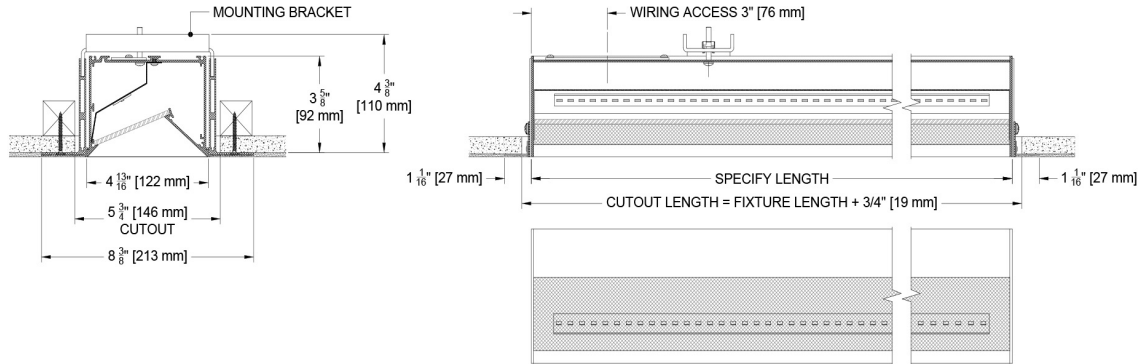
Ordering Code Example: MU5-RM-Z-PM-246"-F10D-27-SY1-P24-EM-902

FIXTURE	TRIM	MOUNTING	LENGTH	SOURCE / WATTS	CCT	DRIVER / CONTROL	HOUSING FINISH	TRIM FINISH	LENS ACCESSORIES	ACCESSORIES
MU5-RM										
Mural 5" Linear Continuous Wall Wash	F Flanged Trim  Z Flangeless Trim	<b>Flanged Housings</b>  AF ●● Flanged Airtight/IC  <b>Flangeless Housings</b>  AP ●● Airtight Plaster IC-Rated  APM ●● Airtight Panel Mount IC-Rated  Note - All housings are airtight by design  ●● Supports CA Title 24 part 6 compliance meeting JA8 requirements	— Specify exact length in inches* <sup>A</sup>  *Minimum board length of 12"  ^Minimum of 24 inches required for integral driver	F10S ●● 13W 705Lm 90+CRI, 60+R9 F10 Single Board  F10D ●● 22W 1189Lm 90+CRI, 60+R9 F10 Double Board  ●● Supports CA Title 24 part 6 compliance meeting JA8 requirements	27 2700K  30 3000K  35 3500K  40 4000K	SY1 0-10 1.0%, UNV (120-277V) linear  SY2 0-10 1.0%, UNV (120-277V) log  E1 0-10 0.1%, UNV (120-277V) log  E2 DALI-2 0.1%, UNV (120-277V) log  E3 0-10 0.1%, UNV (120-277V) linear  C2 ELV/Triac * 1.0%, (120-120V) linear  Lutron  LD Digital Ecosystem 1.0%, UNV (120-277V) ECO Hi-Lume SoftOn/Fade-to-Black LDE1  * minimum run length of 24" required	W White Paint  PXX Specialty Paint Color*  P01-P15  C Custom/RAL#*  Note: We recommend the white semi gloss housing finish. Other colors will absorb light, filter the color of light and reduce light levels  *See Finish Guide  	W White Paint  PXX Specialty Paint Color*  P01-P15  B Black Paint  K Blank for use with Flangeless  C Custom/RAL Color**  Note: We recommend the white semi gloss housing finish. Other colors will absorb light, filter the color of light and reduce light levels  *See Finish Guide	<b>Aperture Lens</b>  74A AVA Optic  79A Veiling Acrylic  82A Frosted Supertex (glass spreader lens)  91A Solite  92A Supertex (Spreader Lens)  Note: Photometrics with 79A  	LR Lutron Wireless RF PowPak  EM Emergency Pack  CP Chicago Plenum  IS9X Inside 90° Corner*  OS9X Outside 90° Corner*  *X=specify number of corners

# Ceiling Cutouts and Dimensions

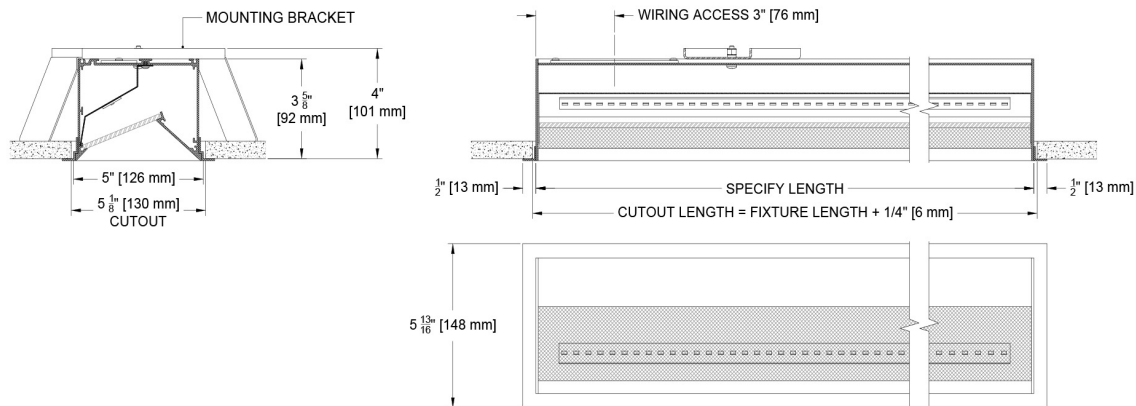
## Linear Flangeless Housing Plaster Mount (P)

(MU5-RM-Z-P-)



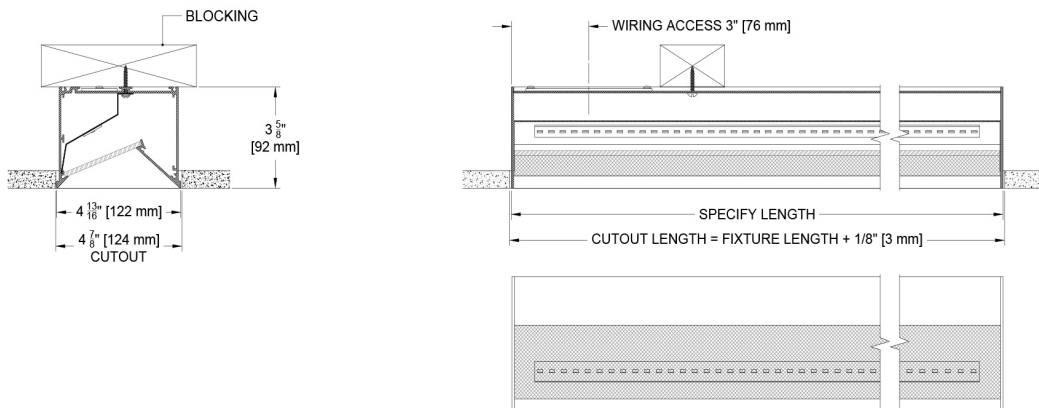
## Linear Flanged Housing Flanged Mount (F)

(MU5-RM-F-U-)



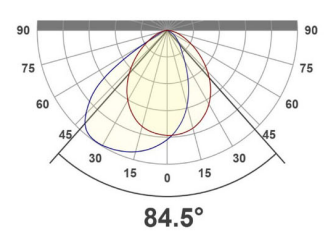
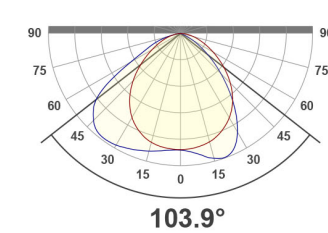
## Linear Flangeless Housing Panel Mount (PM)

(MU5-RM-Z-PM-)



# Photometric Table

All data is based from goniometer measurements of production representative product. All lumen values are delivered and can vary +/- 10% from LED manufacturer rated flux range. Measurements at 3000 CCT. All photometry is used with a veiling acrylic (79A) lens. Other lens selections will modify the lumen output and exact beam spread. If photometry is required with a specific lens treatment contact your regional sales manager for a special measurement.

MURAL LINEAR WALL WASH (MU5-RM)		Performance / Foot		
Source	System watts (W)	Delivered Lumens (lm)	Lumens/ Watt/ft	Peak cd
1' Length- F10- Single Board	13	705	56	396
1' Length- F10- Double Board	22	1189	54	494
F10 Multipliers		<div style="display: flex; justify-content: space-around;"> <div style="text-align: center;"> <p>Single Board Option</p>  <p><b>84.5°</b></p> </div> <div style="text-align: center;"> <p>Double Board Option</p>  <p><b>103.9°</b></p> </div> </div>		
CCT	Citizen			
2700	0.95			
3000	1.00			
3500	1.02			
4000	1.03			
<p>All Measurements 3000K and per foot. Double Board kicks additional light towards ceiling plane- see IES file</p>				

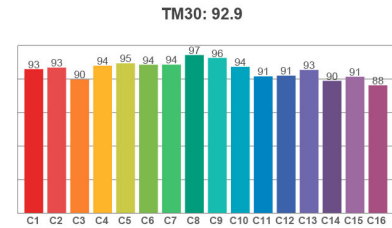
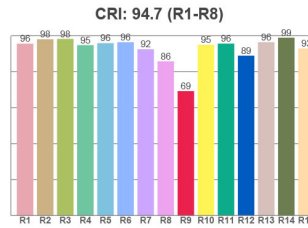
# Color Data

All data is based from goniometer measurements of production representative product. All lumen values can vary +/- 10% from LED manufacturer rated data range. Measurements at 3000 CCT unless otherwise noted.

## F10 Linear Board

- <3 MacAdam Ellipse (<3 SDCM)
- 90+ CRI and RF
- 60+R9, Hue Bin 1 and 16

95 CRI	70 R9
93 RF	102 RG



Spectra

